



Selection: Semi-hermetic Reciprocating Compressors

Input Values

Compressor model Mode	(2CC-3.2Y) Refrigeration and Air conditioning	Suction gas temperature Operating mode	20,00 °C Auto
Refrigerant	R404A	Power supply	400V-3-50Hz
Reference temperature	Dew point temp.	Capacity control	100%
Liq. subc. (in condenser)	0 K	Useful superheat	100%

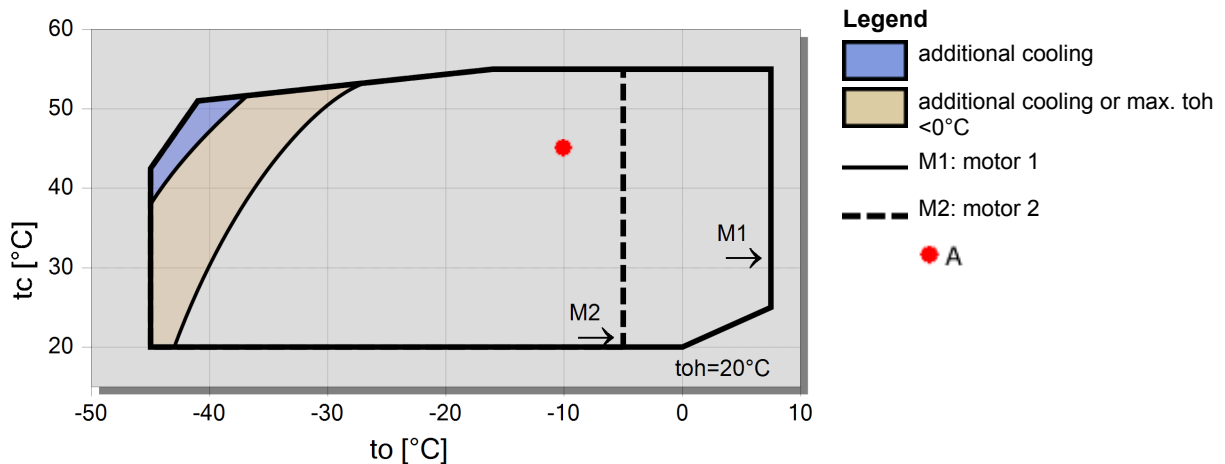
Result

Q [W]	Cooling capacity	COP [-]	COP/EER
Qu* [W]	Evaporator capacity	m [kg/h]	Mass flow
P [kW]	Power input	Op.	Operating mode
I [A]	Current	th [°C]	Discharge gas temp. w/o cooling
Qc [W]	Condenser capacity		

tc	to	5°C	-5°C	-15°C	-25°C	-35°C	-45°C	-55°C	-65°C
30°C	Q [W]	--	12468	8404	5384	3184	1625	--	--
	Qu* [W]	--	12468	8404	5384	3184	1625	--	--
	P [kW]	--	3,33	2,95	2,48	1,93	1,35	--	--
	I [A]	--	6,15	5,64	5,04	4,41	3,86	--	--
	Qc [W]	--	15795	11354	7859	5116	2970	--	--
	COP [-]	--	3,75	2,85	2,17	1,65	1,21	--	--
	m [kg/h]	--	313	207	131,1	76,8	39,0	--	--
	Op.	--	Standard	Standard	Standard	Standard	Standard	--	--
	th [°C]	--	70,7	85,0	102,2	124,1	0	--	--
40°C	Q [W]	--	10508	7036	4443	2548	1201	--	--
	Qu* [W]	--	10508	7036	4443	2548	1201	--	--
	P [kW]	--	3,85	3,29	2,65	1,97	1,27	--	--
	I [A]	--	6,88	6,10	5,26	4,45	3,80	--	--
	Qc [W]	--	14363	10326	7096	4518	2470	--	--
	COP [-]	--	2,73	2,14	1,67	1,29	0,95	--	--
	m [kg/h]	--	297	195,1	121,4	68,9	32,2	--	--
	Op.	--	Standard	Standard	Standard	Standard	Standard	--	--
	th [°C]	--	82,7	97,4	115,1	137,9	0	--	--
50°C	Q [W]	--	8594	5711	3544	1954	--	--	--
	Qu* [W]	--	8594	5711	3544	1954	--	--	--
	P [kW]	--	4,35	3,60	2,80	1,98	--	--	--
	I [A]	--	7,60	6,53	5,45	4,47	--	--	--
	Qc [W]	--	12942	9311	6347	3937	--	--	--
	COP [-]	--	1,98	1,59	1,26	0,98	--	--	--
	m [kg/h]	--	282	182,9	111,6	60,8	--	--	--
	Op.	--	Standard	Standard	Standard	Standard	--	--	--
	th [°C]	--	95,2	110,4	128,9	0	--	--	--

-- No calculation possible (see message in single point selection)
 *According to EN12900 (20°C suction gas temp., 0K liquid subcooling)

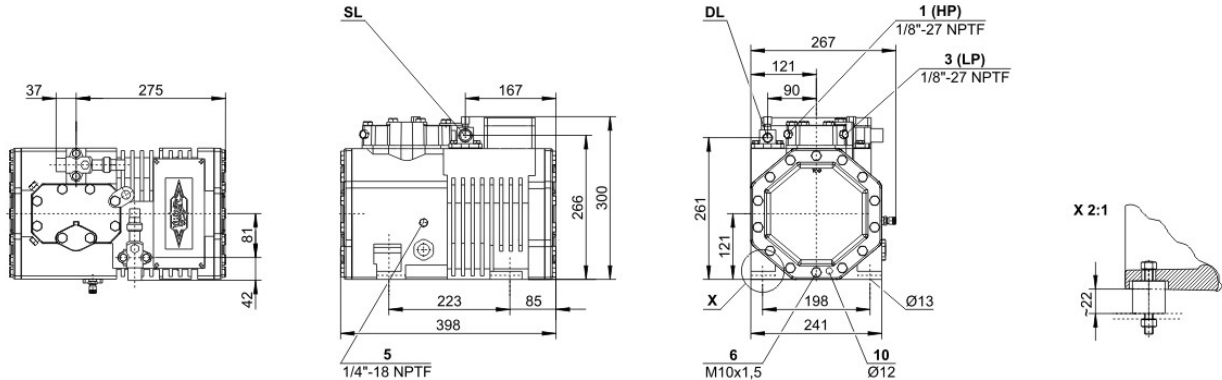
Application Limits 100% Octagon 2CC-3.2





Technical Data: (2CC-3.2Y)

Dimensions and Connections



Technical Data

Technical Data

Displacement (1450 RPM 50Hz)	16,24 m3/h
Displacement (1750 RPM 60Hz)	19,60 m3/h
No. of cylinder x bore x stroke	2 x 55 mm x 39,3 mm
Weight	70 kg
Max. pressure (LP/HP)	19 / 28 bar
Connection suction line	22 mm - 7/8"
Connection discharge line	16 mm - 5/8"
Oil type R134a/R407C/R404A/R507A/R407A/R407F	tc<55°C: BSE32 tc>55°C: BSE55 (Option)
Oil type R22 (R12/R502)	B5.2 (Standard)
Oil type R290/R1270	SHC226E (Standard)

Motor data

Motor voltage (more on request)	380-420V Y-3-50Hz
Max operating current	8.5 A
Starting current (Rotor locked)	37.0 A
Max. Power input	5,0 kW

Extent of delivery (Standard)

Motor protection	SE-B1
Enclosure class	IP65
Vibration dampers	Standard
Oil charge	1,50 dm ³

Available Options

Additional fan	Option
Crankcase heater	0..120 W PTC (Option)

Sound measurement

Sound power level (-10°C / 45°C)	67,0 dB(A) @ 50Hz
Sound power level (-35°C / 40°C)	70,0 dB(A) @ 50Hz
Sound pressure level @ 1m (-10°C / 45°C)	59,0 dB(A) @ 50Hz
Sound pressure level @ 1m (-35°C / 40°C)	62,0 dB(A) @ 50Hz